

**HOME  
Booster**

**Home Booster Circulation Pump**  
家用自动增压泵

**安徽新沪屏蔽泵有限责任公司**

ANHUI SHINHOO CANNED MOTOR PUMP CO.,LTD.

地址(Add) :安徽省合肥市高新区柏堰科技园铭传路780号  
No.780, Ming Chuan Road, High-Tech Zone ,Hefei, Anhui, P.R.China  
网址(Http):www.shinhoodump.com

国内贸易 P.R.China  
电话(Tel): +86-551-62379800  
传真(Fax): +86-551-62379800

国际贸易 International  
电话(Tel): +86-551-62379803  
传真(Fax): +86-551-62379801

企业在线 Company Online  
阿里巴巴: <http://shxh88.1688.com/>  
Alibaba: <http://shxinhu.en.alibaba.com/>

注: 本公司保留对该样本的解释权和修改权 (Our company has the finally right for the instruction of explanation and amendment.)

 采用生态纸印刷  
Adopt ecotypic paper to print  
The 4th Edition 2020.03.10

**Shinhoo**® 新沪  
CANNED MOTOR PUMP

新沪

XINHOO®



Shinhoo 新沪  
CANNED MOTOR PUMP

家用自动增压泵 **Home Booster Circulation Pump**

**安徽新沪屏蔽泵有限责任公司**

ANHUI SHINHOO CANNED MOTOR PUMP CO.,LTD.

## ■ 公司简介

安徽新沪屏蔽泵有限责任公司是浙江大元泵业股份有限公司（上交所：603757）的全资子公司，专注于屏蔽泵的研发&制造。

2007年，为满足日益增长的强劲需求，新沪公司在中国安徽省合肥市国家高新区斥资3亿元人民币开始兴建占地10万平方米的现代化厂房，2009年底正式投产。新沪公司在引进国际先进管理经验和各类一流生产检测设备的同时，严格按照ISO9001:2008质量管理体系、ISO14000:2004环境管理认证体系认证标准建立起设计、生产、服务、和营销体系。依据不同国家和地区的法规，相关产品相继通过了CCC、GS、UL、CE、等多项认证以及RoHS、REACH、EEI等多项检测，确保产品安全、稳定、可靠、耐用，并符合当地的法律法规要求。物力的保障、制度的完善、加之大批资深的流体力学、机械、电机、控制、材料、工艺技术等领域的专家，利用先进的计算机技术不断进行科技创新，奠定了新沪公司的核心竞争力和可持续发展空间。

新沪公司作为中国屏蔽电泵、屏蔽电机行业标准的起草单位，矢志不渝的坚持以客户需求为导向的产品研发和质量提升，为不同流体介质无泄漏输送的一般性和特殊性要求提供完美的解决方案。新沪产品远销欧美亚多个国家和地区，广泛应用于化工、石化、石油精炼、纺织、机车、中央空调、航空航天、军工、核电、空调系统冷暖气循环供水、建筑、环保、暖通、新能源等诸多领域。卓越的产品品质，完善的售后服务，为新沪赢得了高度美誉。

新沪公司诚邀与国内外客商诚信携手、共创辉煌。



## ■ Company Profile

Anhui Shinhoo Canned Motor Pump Co.,Ltd. is one of the world largest canned motor pump manufacturing enterprises.

To satisfy the fast-growing customer demand, Xinhoo invested 300 million RMB in year 2007 to establish a modernized plant covering 100 thousands square meters in hi-tech development zone of Hefei city, Anhui Province, which was formally put into operation in 2009. With introduction of international advanced managerial experience and world-class manufacturing& testing equipments, the company is in strict accordance with ISO9001:2008 Quality Management System, ISO 14000:2004 Environmental Management System, setting up system of design, production, service and marketing. Basing on laws and regulations of countries and regions, the company products successively passed a series of attestations of CCC、GS、UL、CE as well as a number of inspections by RoHS, REACH, and EEI, so as to ensure stability, reliability, durability, high efficiency of products and conformity to local laws and regulations. It is the resources guarantee, system perfection and introduction professionals of fields of hydromechanics, mechanics, motor, controlling, material science and processing, and continuous scientific innovation by employing advanced computer technology that lay a foundation for Xinhoo's core competitiveness and the sustainable development space.

Being a member of drafting committee of China canned motor pumps and canned motors, Xinhoo is dedicated to customer-oriented product development and quality improvement, providing perfect solutions for standard and particular requirements of zero leakage transportation of different mediums. Company products has found a good sale in countries and regions of Europe, America and Asia, applying broadly in chemical industry, petrification, petroleum refining, textile industry, locomotive, central heating, aviation and aerospace, military industry, nuclear power industry, air-conditioning water circulation, construction industry, environmental protection industry, heating and ventilation, and new energy industry. High product quality and perfect after- sale service has won for Xinhoo great trust and recognition.

Xinhoo is sincerely willing to cooperate with customers from both home and abroad to create a brilliant tomorrow together!

ZP1		
ZP2-270		
ZP2-300		
ZP3		
ZP4		

CE CCC RoHS



ZP1



ZP2-270



ZP2-300



ZP4



ZP3

## 产品技术数据 Technical Date

型号	额定流量 (立方米每小时)	额定扬程 (米)	功率 (瓦)	电流 (安培)	电压 (伏特)	频率 (赫兹)	进出口径 (毫米)	净重 (千克)	管接头	液体温度 (摄氏度)	泵体材质 铸铁 铜 不锈钢
Model	Rated Flow (m <sup>3</sup> /h)	Rated Head (m)	Power (W)	Current (A)	Voltage (V)	Frequency (Hz)	Import and Expore Drive (mm)	Weight (Kg)	Union Joint	Fluid Temperature (°C)	Material
ZP1	0.5	7.5	120	0.5	230	50	15	2.5	¾"转½"	+2~+60	铸铁 CastIron
ZP1B	0.5	7.5	120	0.5	230	50	15	2.5	¾"转½"	+2~+60	铜 Copper
ZP1N	0.5	7.5	120	0.5	230	50	15	2.4	¾"转½"	+2~+60	不锈钢 Stainless stell
ZP2-270	1.2	10	270	1.2	230	50	15	2.5	¾"转½"	+2~+60	铸铁 CastIron
ZP2-300	1.25	10	300	1.3	230	50	15	6.3	¾"转½"	+2~+60	铸铁 CastIron
ZP3	1.2	12	320	1.4	230	50	15	6.3	¾"转½"	+2~+60	铸铁 CastIron
ZP4	1.5	6.5	200	0.8	220	50	20	3	1"转¾"	+2~+60	铸铁 CastIron

### 安装说明

- 1、应确保贮水箱的水位与最高位置的水栓（水龙头或淋浴喷嘴）的落差1m以上。
- 2、请勿在水泵吸水侧安装水龙头，否则当水龙头打开管道内产生逆流或空气流入时，将导致运转异常。
- 3、请勿在热水器的排水侧安装水泵，否则热水流入水泵内，将缩短水泵寿命。
- 4、进口压力不小于0.01MPa，不大于0.6MPa。
- 5、水泵安装在室内时，应做好防水、防淋及防冻措施。
- 6、水泵吸水侧的管道较长时，打开水龙头5-6秒后，水泵开始运转。
- 7、注意事项：
  - 7.1 泵在使用前，应确保存储在-10℃~40℃，相对湿度不大于80%，周围无腐蚀性气体的地方。泵自生产日期起储存时间不得超过一年，逾期应请专业人士检验。
  - 7.2 严禁将水泵连同水管一起做水压（泄露）实验，否则将影响水泵使用寿命，甚至导致水泵报废。
  - 7.3 自动增压泵所有产品防护等级为IP42，最大系统压力0.6MPa。出厂配1.5m电源接线，产品ZP4、ZP1、ZP2-270均配送扳手。

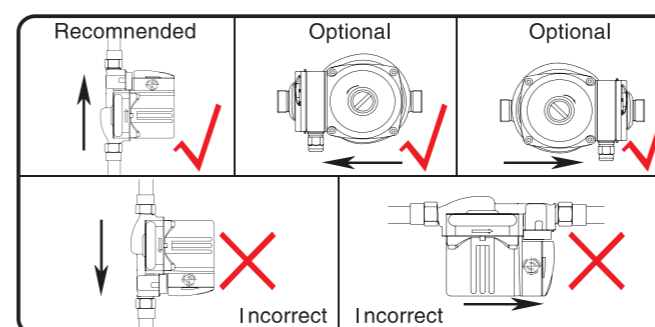
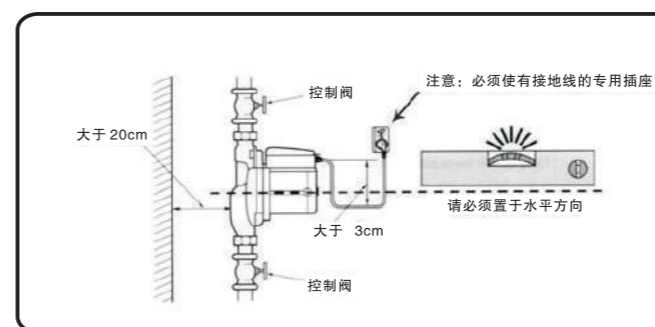
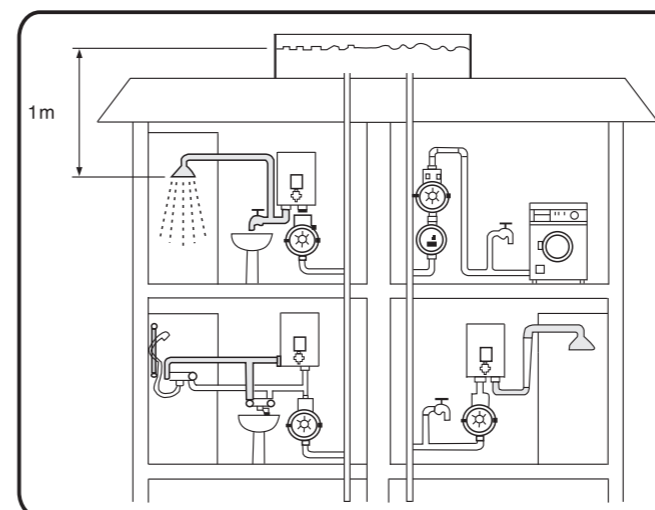
### Installation :

- 1.The top discharging point (tap or shower head) must be at least 1 meter below the water level in the tank.
- 2.Take care not to install tapping point on the pump suction side. Accident opening may cause water backflow or air inflow into the pipe work, where pump does not perform stably.
- 3.Take care not to install pump on the boiler discharging side, so that to avoid damage or life loss caused by hot water.
- 4.Keep the inlet pressure no less than 0.01MPa and no more than 0.6MPa.
- 5.Install the pump indoor and maintain protecting works against water, dripping, or frostbite.
- 6.If long suction pipe is installed, keep the tap open for 5 to 6 seconds then pump starts . is suggested in the case of exceeding the storage time limit.

### 7.Note:

- 7.1 Before installation, keep the pump in a place no more than 1 year, where temperature is -10℃ to 40℃, humidity is below 80%, and free of corrosive gas. Regular inspection by professional
- 7.2 Pressure testing or leakage testing is strictly prohibited for pump with connected pipe work, taking due account of preventing pump from obsolescence, damages, or life loss.
- 7.3 All home booster products are marked as IP code 43 (ingress protection rating) , and apply for 0.6Mpa max.system pressure. Products are manufactured and delivered with 1.5m wire as factory standard.Wrench is accessory kit for ZP4、ZP1 and ZP2-270.

### 安装指导



### 使用说明

水泵安装后，通常把开关调到II（自动）位置上，并确保水流量在2.5L/min(0.15m<sup>3</sup>/h),此时随着水龙头的开启和关闭水泵实现自动运转。若将开关放在III（手动）档时，水泵将一直运转。维修时应把开关调到I（停止）位置上。当自动运转功能异常时，可以把开关调到III（手动）位置后应急使用。

### Operating instruction:

Install the pump. Switch the shift-knob onto II (Auto) position and keep the flow rate at 2.5L/min (0.15m<sup>3</sup>/h ) so that pump starts automatically according to tapping point start-stop. Pump works uninterrupted when shift-knob is onto III (manual) position. Before starting maintenance work on the pump, keep the shift-knob onto I (stop) position. In the case of faulted auto function, it is suggested to keep the shift-knob onto III (manual) position for emergency.